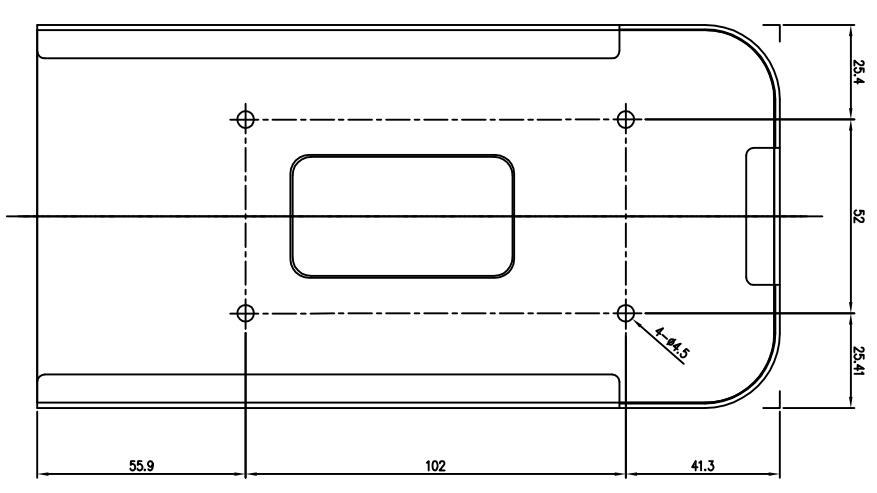
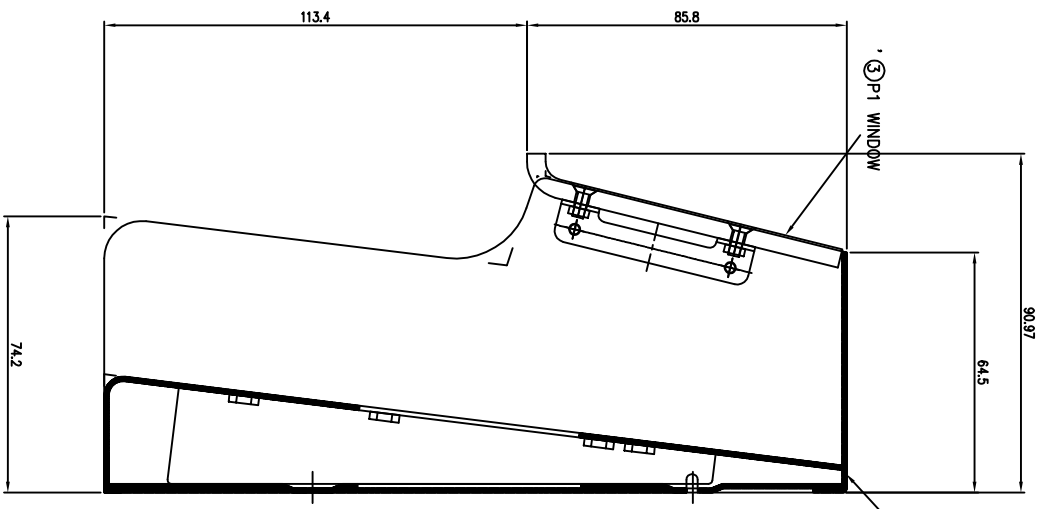
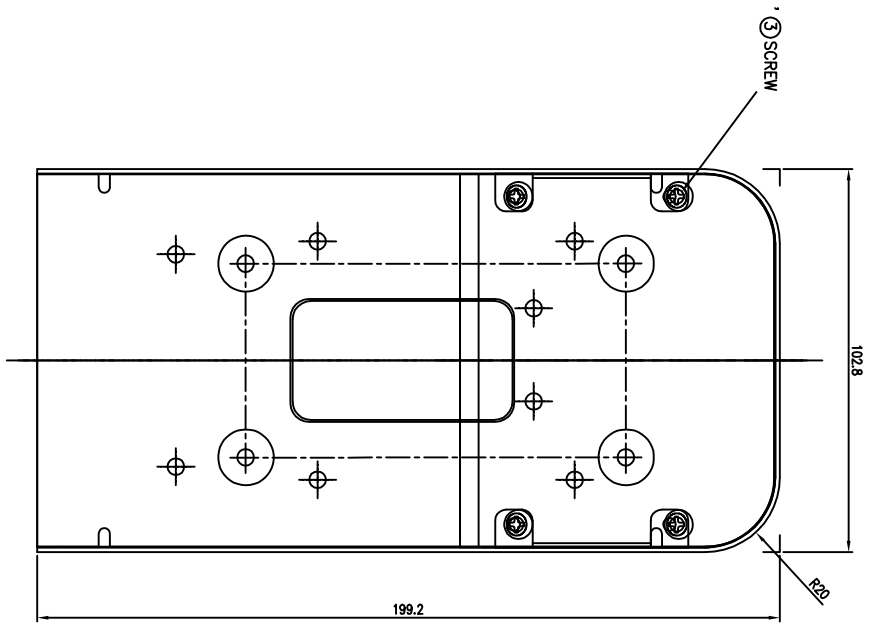


REV.	REVISION DESCRIPTION	E.C.N.	DATE	REV. BY	APP'D. BY



- Notes**
1. Material : STS304 T1.2
  2. Color : 별도 다려서 사양 참조
  3. 모서리는 Sharp Edge/Corner# : R2
  4. 각각의 용접부는 "ALCON WELDING" 처리 함 것

최소외구분 일반규격	정밀(±)	중급(±)	보급(±)	대급(±)
1-4	0.05	0.1	0.2	0.3
4-16	0.07	0.2	0.3	0.5
16-63	0.1	0.3	0.5	1.2
63-250	0.2	0.5	1.2	2.0
250-1000	0.3	0.8	2.0	

NO.	PART NO.	PART NAME	QTY	MATERIAL	SPEC.
3		SCREW	4EA	FHM6, 3X8L (SOCKET)	
2		P1 WINDOW	1EA		
1		P1 CASE AS	1EA		

SCALE	1/1	DWG. NAME	P1 CASE ASSY
UNIT	mm	DESIGN	S.H.KIM
		CHECK-1	
		CHECK-2	
		APP'D	
DRAWING DESIGN		PROJECT NAME	
2012.02.01		GUARD-P1	
UNION COMMUNITY		DRAWING NO.	